



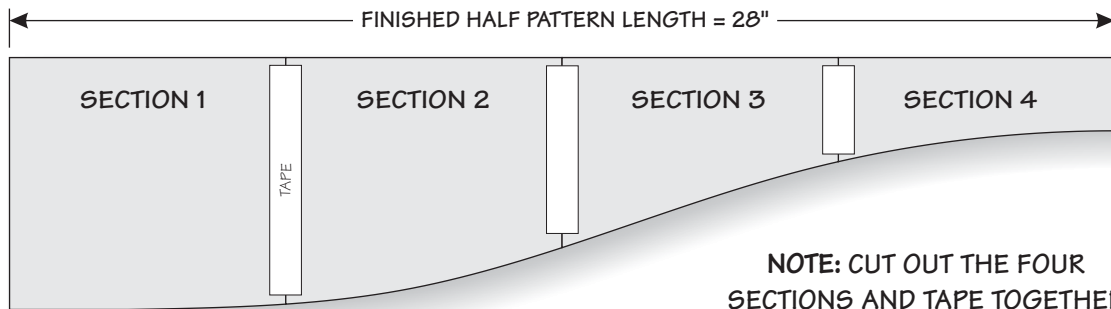
ARCH-TOP HEADBOARD PATTERN: QUEEN

Printing Notes

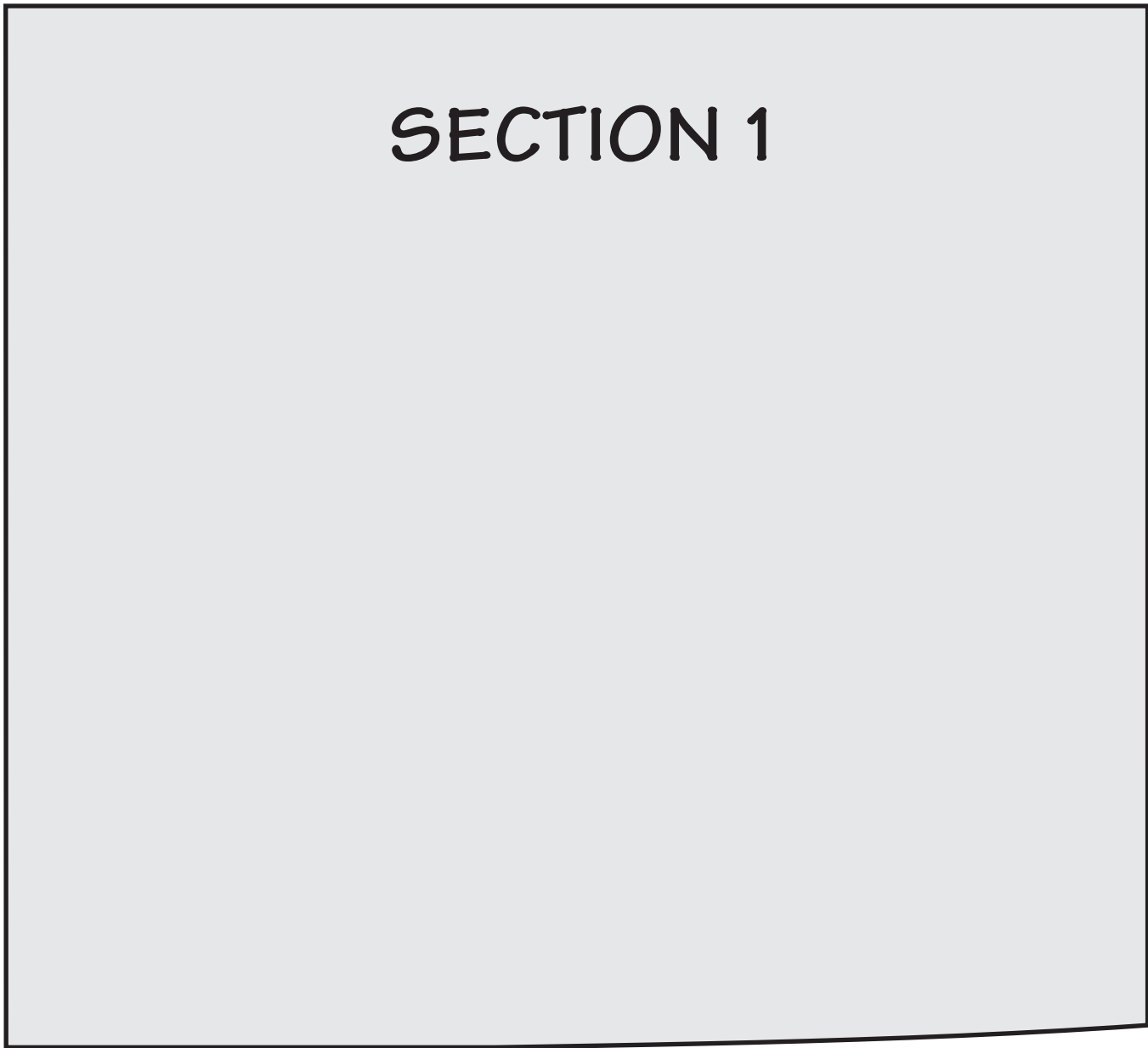
Please note the following printer settings before you print:

1. DO NOT check the box labeled SHRINK or EXPAND pages.
2. If available, set PAGE SCALING to NONE.

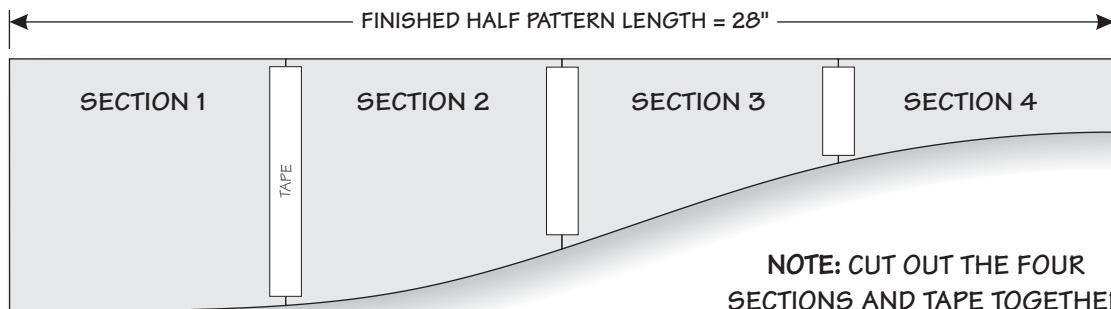
After all sections are taped together,
the QUEEN PATTERN should measure approximately **28"**



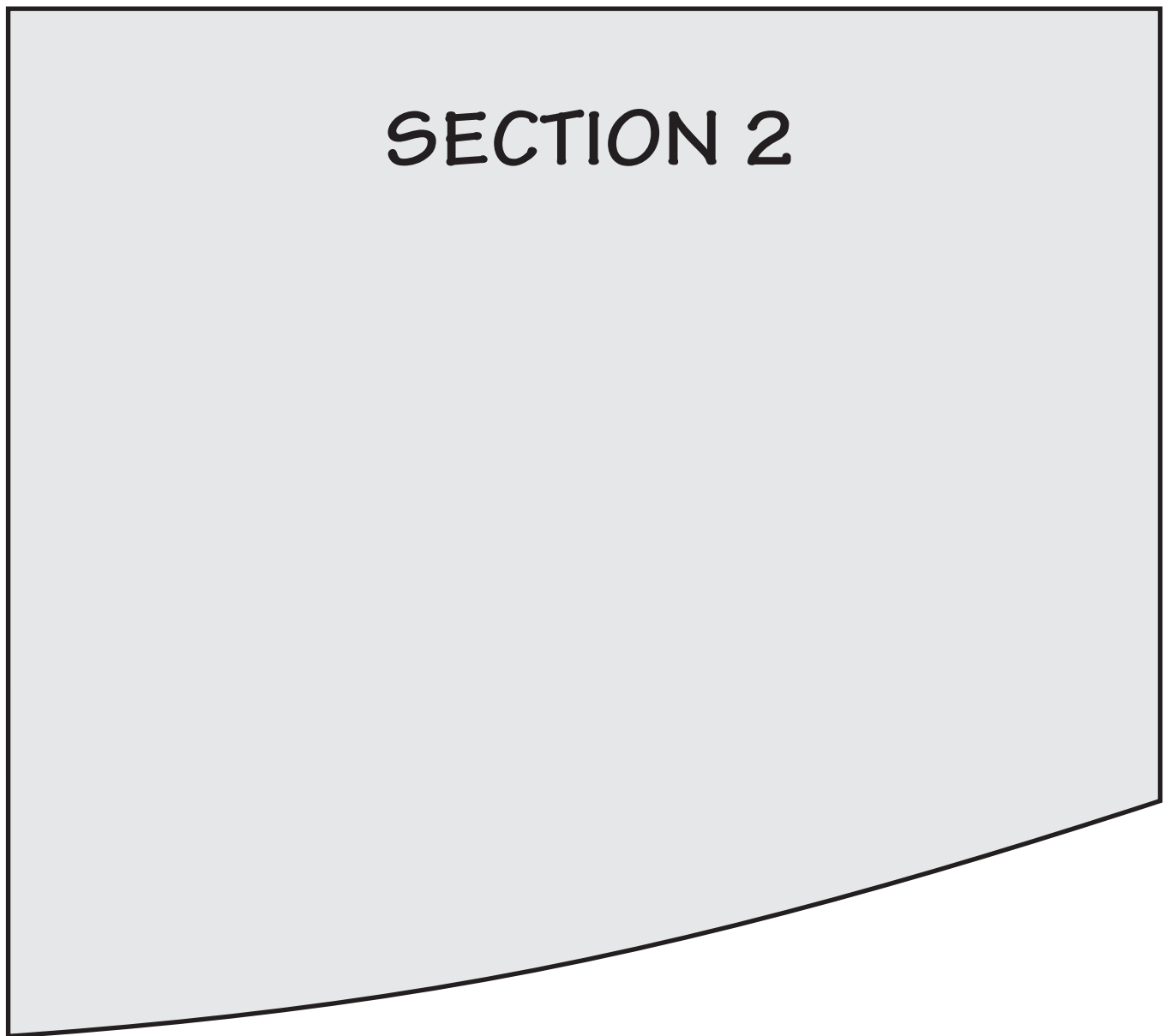
NOTE: CUT OUT THE FOUR SECTIONS AND TAPE TOGETHER TO FORM HALF PATTERN



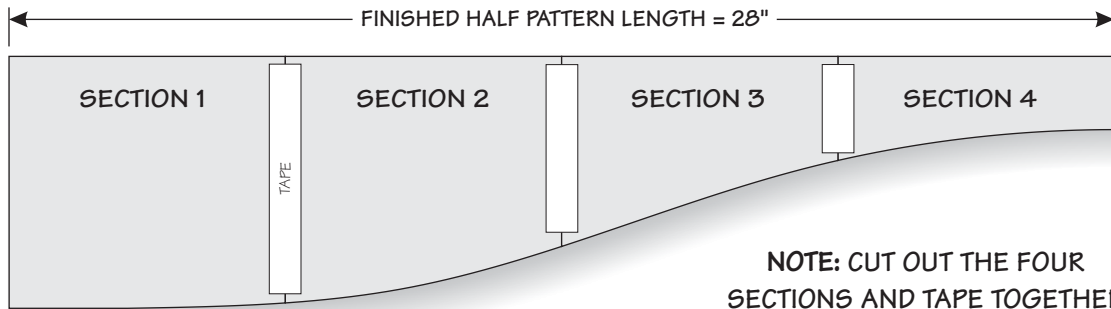
DEPARTMENT:	WOODSMITH #145	PAGE NO:
ONLINE EXTRAS	ARCHED-TOP HEADBOARD: QUEEN-SIZED HALF PATTERN	1-4



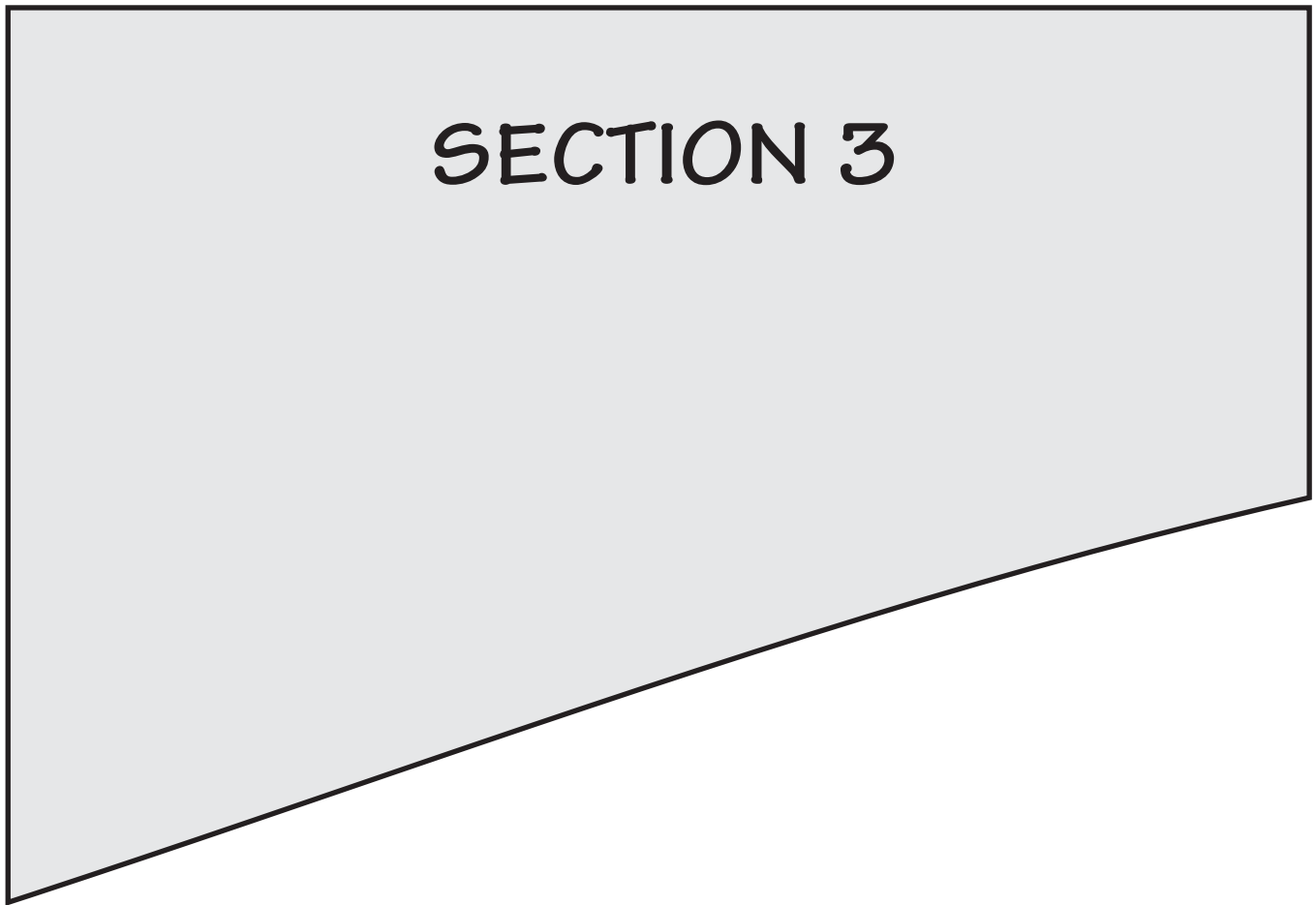
NOTE: CUT OUT THE FOUR SECTIONS AND TAPE TOGETHER TO FORM HALF PATTERN



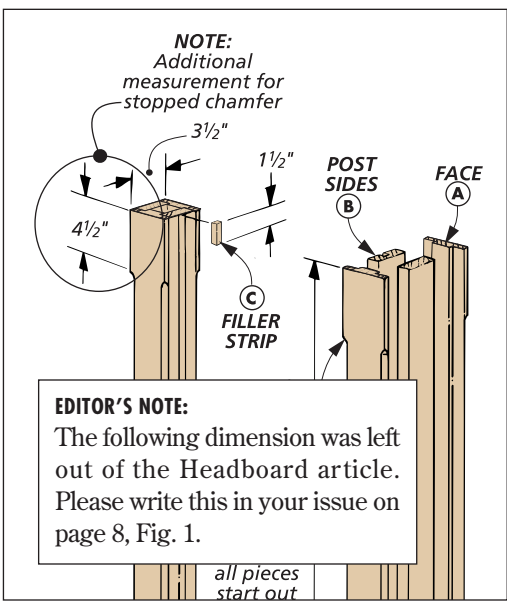
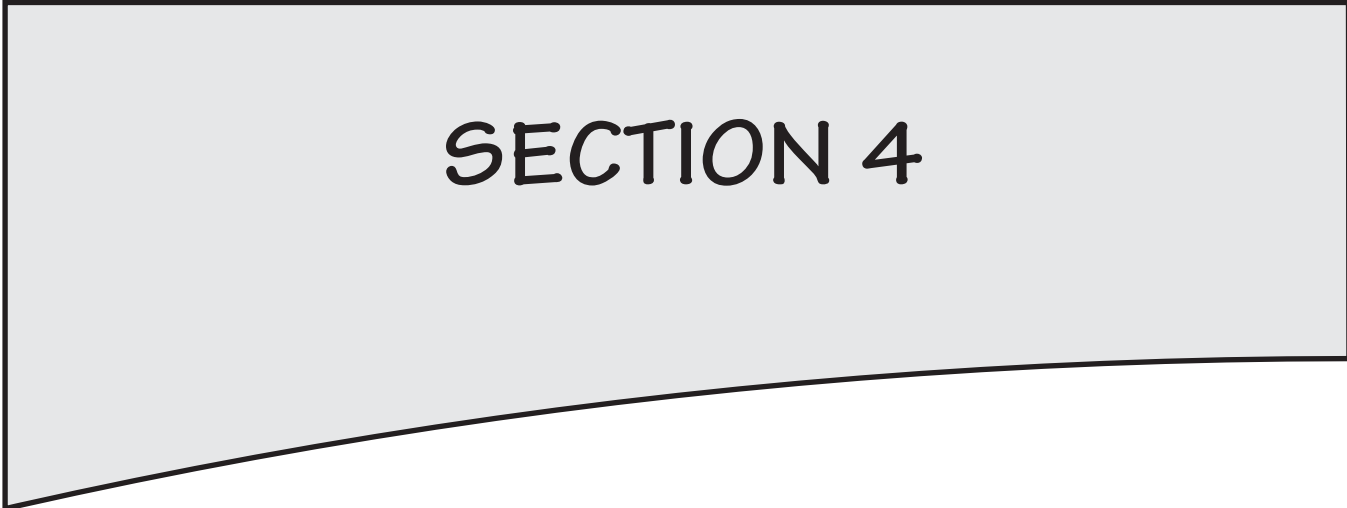
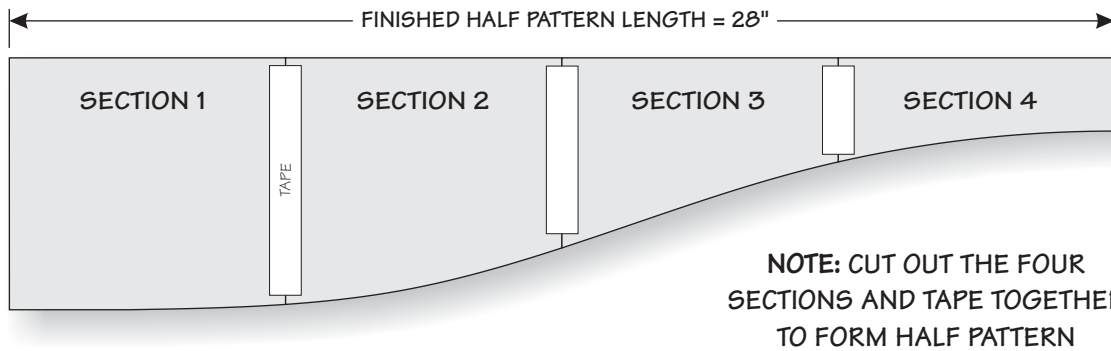
DEPARTMENT:	WOODSMITH #145	PAGE NO:
ONLINE EXTRAS	ARCHED-TOP HEADBOARD: QUEEN-SIZED HALF PATTERN	2-4



NOTE: CUT OUT THE FOUR SECTIONS AND TAPE TOGETHER TO FORM HALF PATTERN



DEPARTMENT:	WOODSMITH #145	PAGE NO:
ONLINE EXTRAS	ARCHED-TOP HEADBOARD: QUEEN-SIZED HALF PATTERN	3-4



DEPARTMENT:	WOODSMITH #145	PAGE NO:
ONLINE EXTRAS	ARCHED-TOP HEADBOARD: QUEEN-SIZED HALF PATTERN	4-4